



# Quick Start Guide

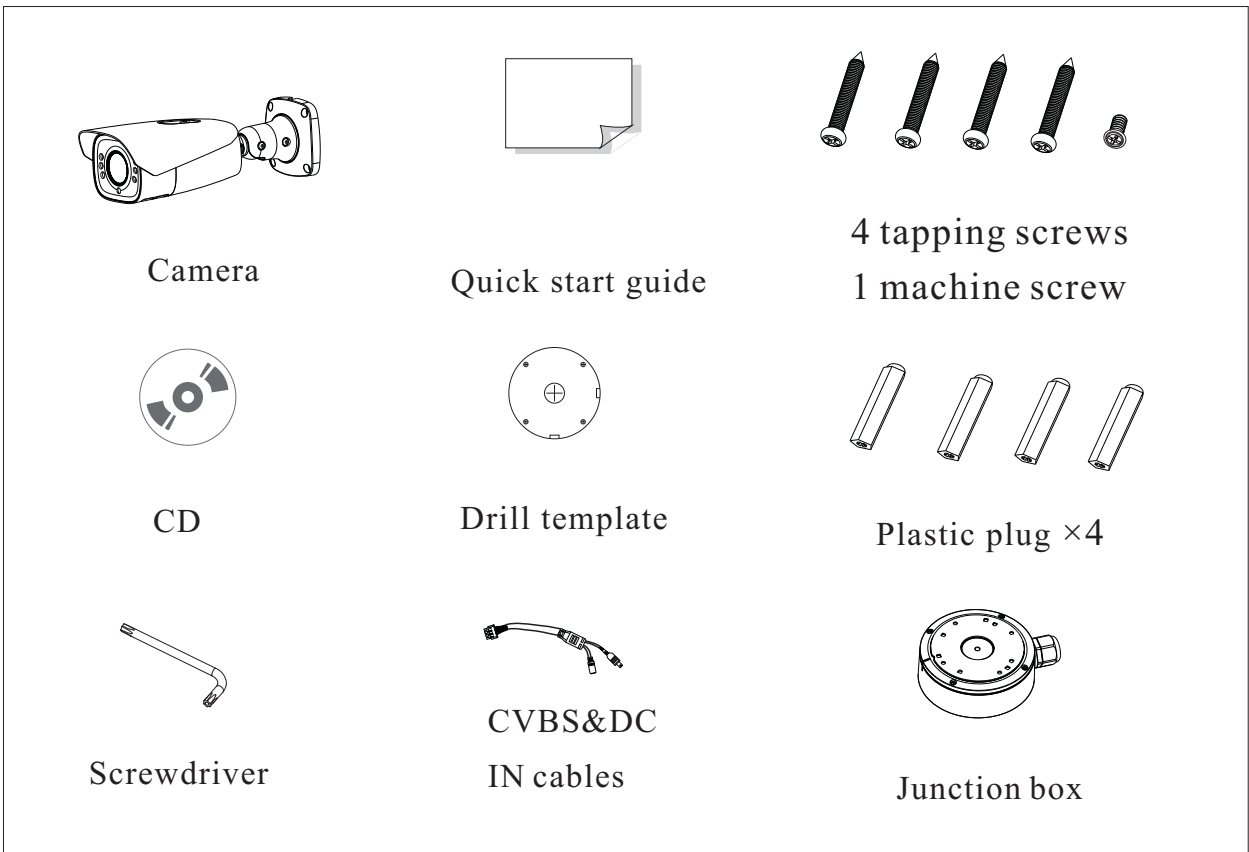
## 02BFRM



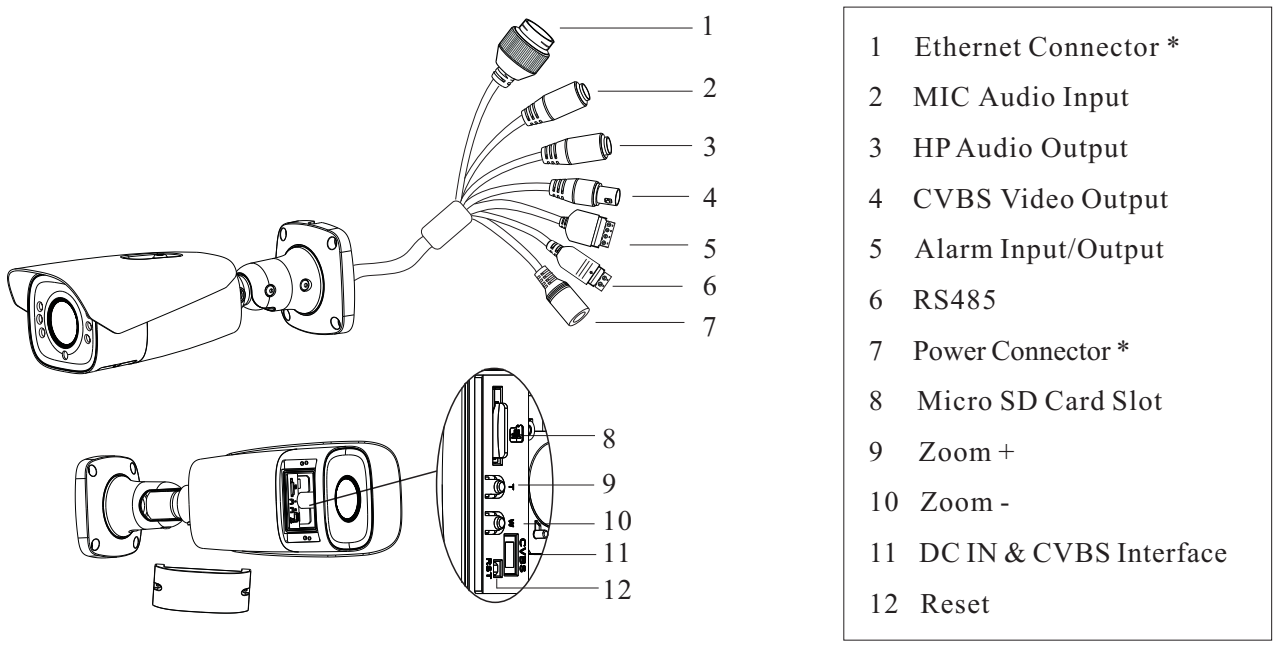
# 1 Warning and Caution

- If the product does not work properly, please contact your dealer or the nearest service center. Never attempt to disassemble the camera yourself. Any unauthorized changes or modifications could void the warranty.
- Do not allow water or liquid intrusion into the camera.
- All installation and operation here should conform to local electrical safety codes. Make sure the device is firmly installed on the wall or ceiling.
- Do not use camera beyond specified voltage range.
- Do not drop the camera or subject it to physical shock.
- Avoid touching the camera lens.
- If cleaning is necessary, please use cleaning cloth to wipe it gently.
- Do not aim the camera at the sun or extremely bright light sources.
- Do not place the camera in extremely hot or cold environments and dusty and damp locations. Do not expose it to highly electromagnetic radiation.
- Do not block any ventilations.

# 2 Package

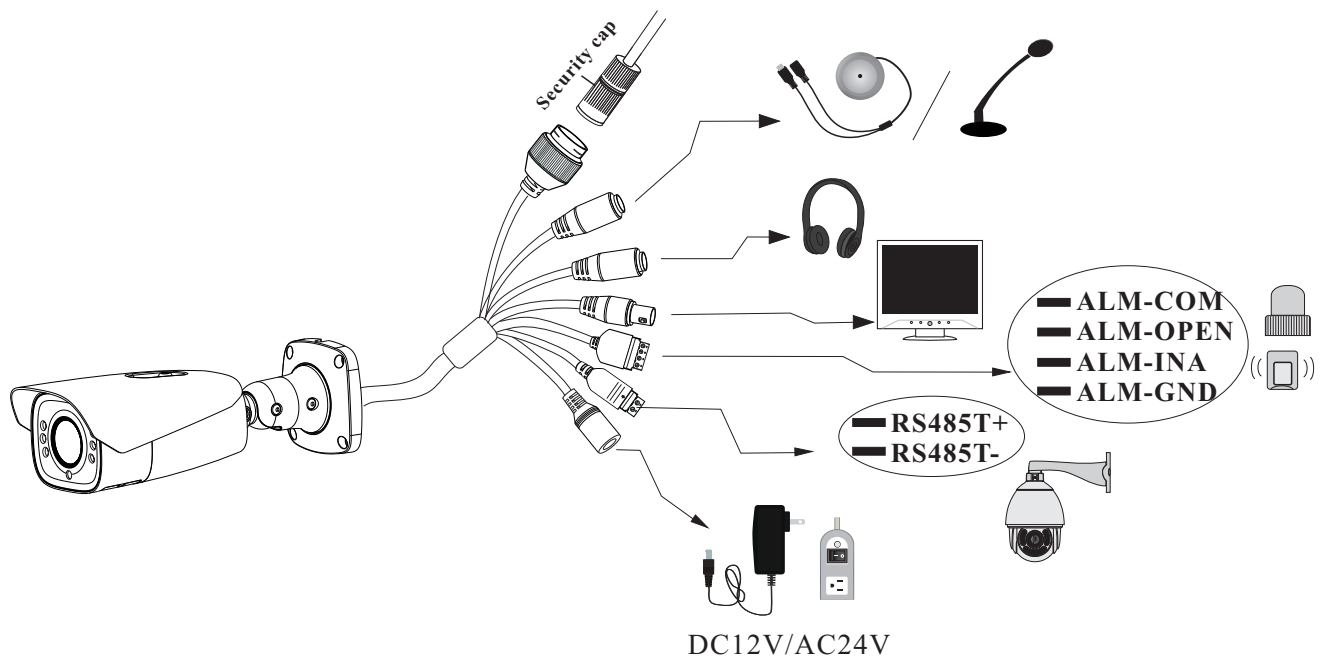


# 3 Overview



**\* 1 It is recommended to install the security cap for outdoor installation.**

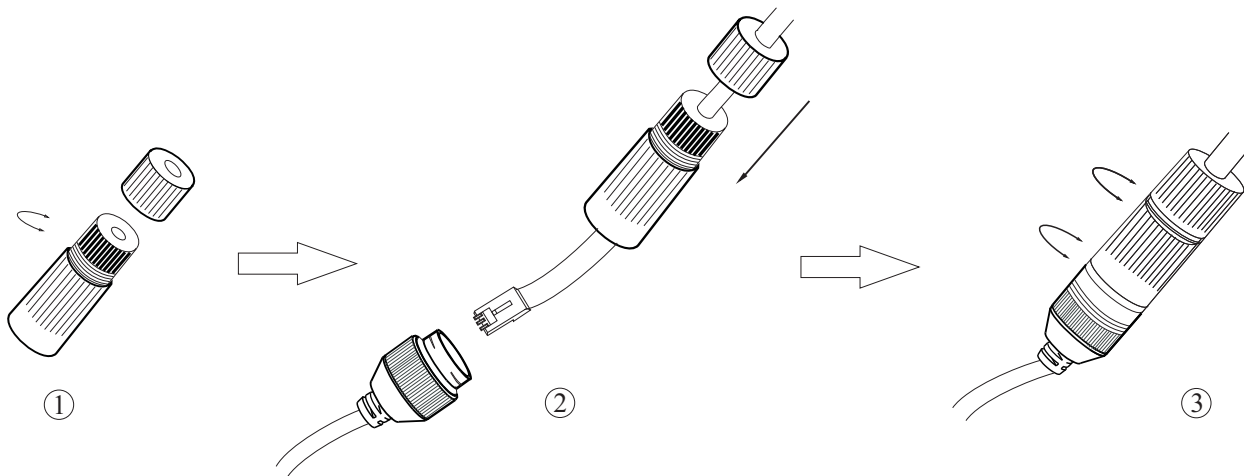
**\* 2 If the PoE switch is used to power the camera, DC12V/AC24 power supply is not required.**



\* 1 It is recommended to install the security cap for outdoor installations.

\* 2 DC 12V power supply is not required if a PoE switch or injector is used to power the camera.

## ► Connecting Network Cable



① Loosen the nut from the main element.

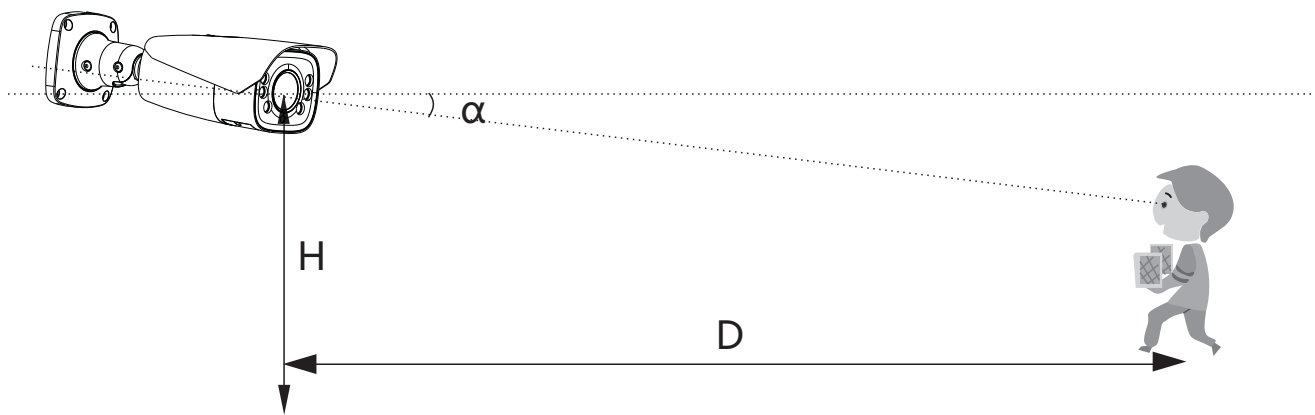
② Run the network cable (without RJ 45 connector) through both elements. Then crimp the cable with RJ 45 connector.

③ Connect the cable to the hermetic connector. Then tighten the nut and the main cover.

# 4 Installation

## ► Requirements of Camera Installation & Surrounding Areas

1. The camera shall be installed right in front of the passage to take snapshots of full-frontal faces.
2. The installation height ranges from 2.0m(6.6ft) to 3.5m(11.5ft), adjustable according to the focal-length of different lenses and object distances).
3. The depression angle ( $\alpha$ ) of the camera shall be less than or equal to  $15^\circ$ .
4. The object distance ( $D$ ) depends on the focal-length of the lens mounted in the camera.

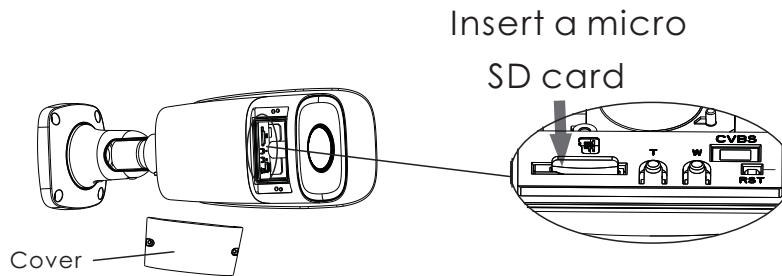


Surveillance Width	Focal-length	Optimal Object Distance	Installation Height	Camera's Depression Angle
2.4m(7.9ft)	7-22mm (W)	3.6m(11.8ft)	2.1m(6.9ft)	$10^\circ$
2.4m(7.9ft)	7-22mm (T)	6.0m(19.7ft)	2.6m(8.5ft)	$10^\circ$

5. To ensure the accuracy of face detection, the captured faces are only allowed to deviate less than  $30^\circ$  leftward or rightward or  $20^\circ$  upward or downward.
6. Make sure the detected face is clear and with adequate and even light. Otherwise, the white light mode of the camera must be enabled for light compensation (especially, low brightness and too much darkness on the detected face).
7. The following scenes are not applicable, like crowded scenes (airport, railway station, square, etc.), backlight scenes, crossroads and so on.

## ● SD Card Installation

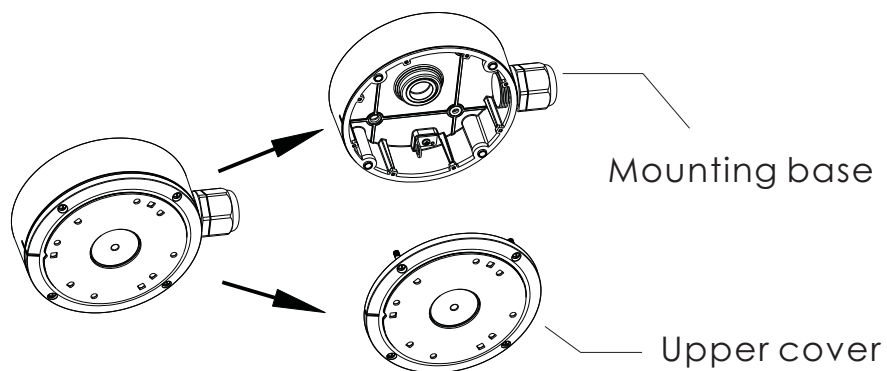
Open the cover of the camera as shown in the following figure and then insert a micro SD card. After that, install the cover back to the camera (Note that the cover shouldn't be installed unevenly).



## ● Camera Installation with a Junction Box

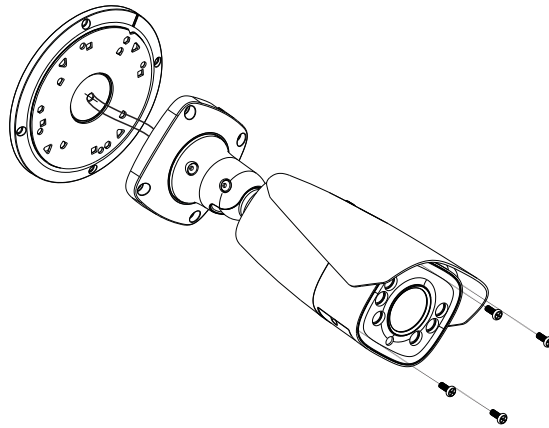
\* Before you start, please make sure that the wall or ceiling is strong enough to withstand three times the weight of the camera and junction box.

① Open the mounting base and the upper cover of the junction box.

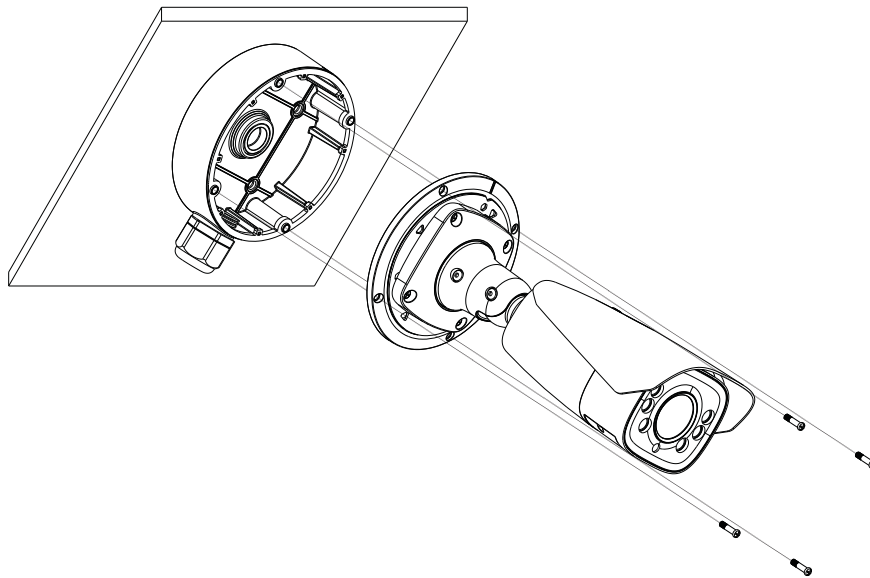


② Install the mounting base of the junction box onto the wall by using the screws provided.

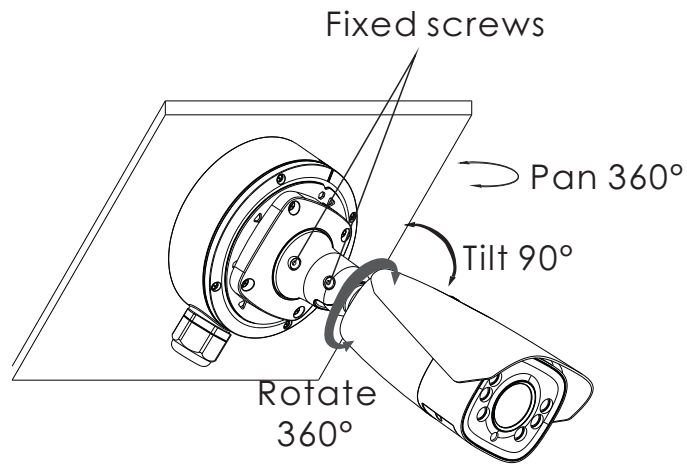
- ③ Fix the mounting base of the camera to the upper cover of the junction box.



- ④ Route the cables through the cable hole and connect the camera. Then install the camera onto the mounting base of the junction box.



- ⑤ Three-axis Adjustment-Before adjustment, preview the image of the camera on a monitor and then loosen the fixed screws to adjust the camera according to the figure below to get an optimum angle.



# 5 Web Operation and Login

IP Scanner can search for the device on the local network.

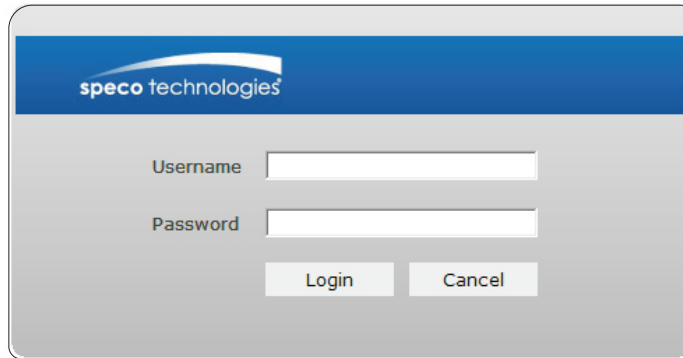
## ● Operation

- ① Make sure that the camera and the PC are connected to the same local network. The camera is set to DHCP by default.
- ② Install IP Scanner from the CD and run it after installation.

Status	Model Name	Name	IP Address	MAC Address	Wireless IP Address	Zero Config IP
Online		O2BFRM	192.168.17.251	00:18:CE:24:68:9A	n/a	n/a



③ In the device list, you can view the IP address, model number, and MAC address of each device. Select the applicable device and double click to open up the web viewer. You can also manually enter the IP address in the address bar of the web browser.

The image shows a login window for Speco Technologies. At the top, there is a blue header with the 'speco technologies' logo. Below the header, there are two input fields: 'Username' and 'Password'. Underneath the password field, there are two buttons: 'Login' and 'Cancel'.

The login interface is shown above. Default user name is admin and password is 1234. After logging in, follow directions to install applicable plugins.